

R5000L AND R5000P BRICK INSTALLATION SEQUENCE -

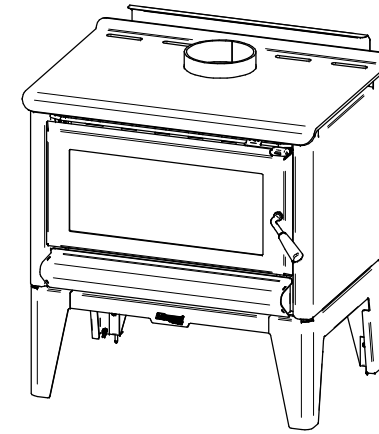
MAKE SURE THE SMALL STEP ON BRICK IN ON THE TOP AND FACING INSIDE THE FIREBOX.

(A) INSTALL ONE BRICK EACH SIDE BY PLACING BETWEEN THE 2 X BOLT HEADS ON THE FIREBOX FLOOR. SLIDE THE FRONT SIDE BRICK FORWARD TO THE FRONT OF THE FIREBOX.

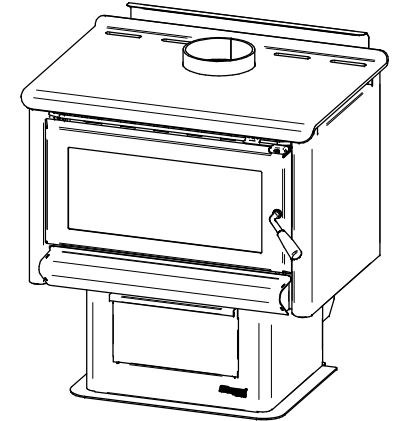
(B) NEXT FIT IN POSITION THE TWO REAR-SIDE BRICKS BETWEEN THE FRONT BRICK AND THE REAR BOLT HEAD ON THE FIREBOX FLOOR. SLIDE THE REAR SIDE BRICK BACKWARD AGAINST THE BACK OF THE FIREBOX.

(C) THEN FIT THE CENTER-SIDE, HALF BRICK BETWEEN THE FRONT AND REAR SIDE BRICKS.

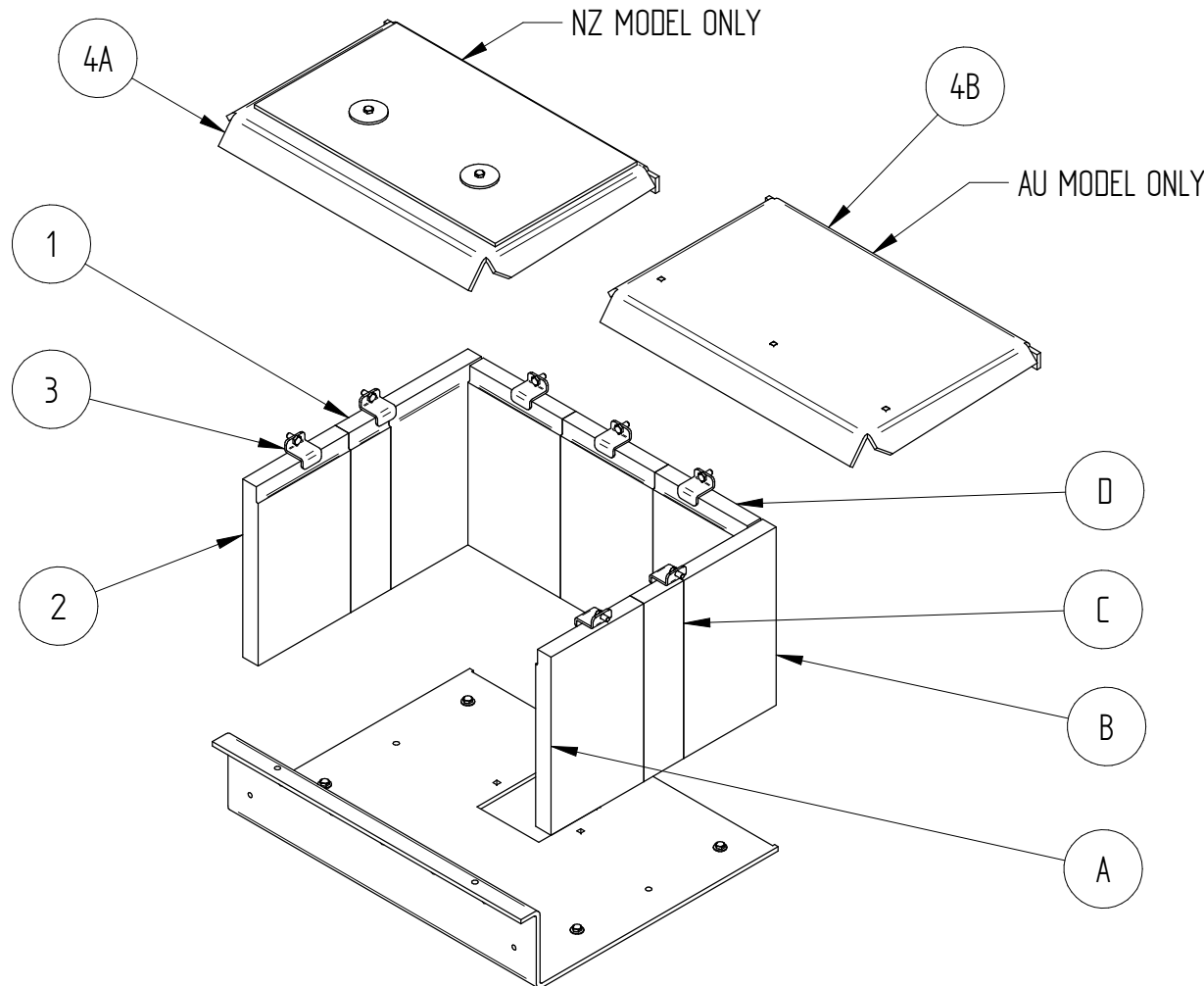
(D) LASTLY FIT THREE REAR BRICKS



R5000L



R5000P



R5000 BRICK LAYOUT			
ITEM	PART ID	DESCRIPTION	Quantity
1	MIC00355	MIC BRICK HALF	2
2	MIC00354	MIC BRICK	7
3	HBA00118	HBA BRICK RETAINER	7
4A	983224	R5000 BAFFLE COMPLETE	1
4B	983281	R5000 BAFFLE WELDED SUB-ASS AUS	1

BRICK & BAFFLE LAYOUT FOR R5000L AND R5000P HARDWOOD & SOFTWOOD MODELS